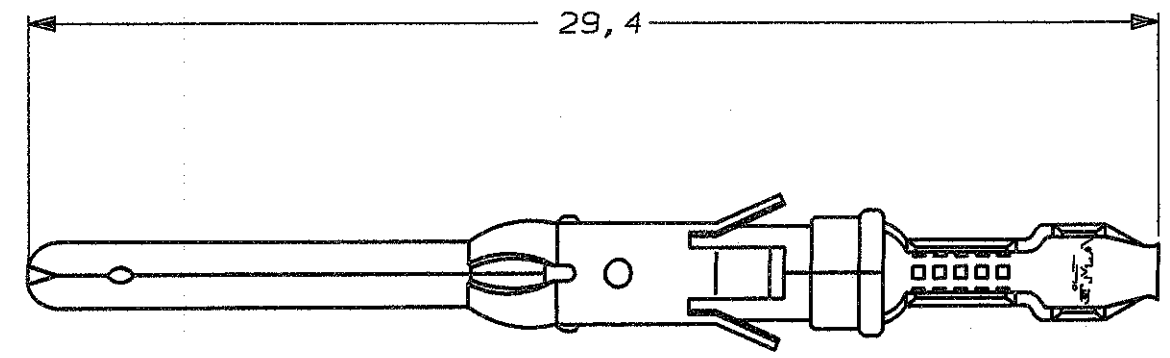
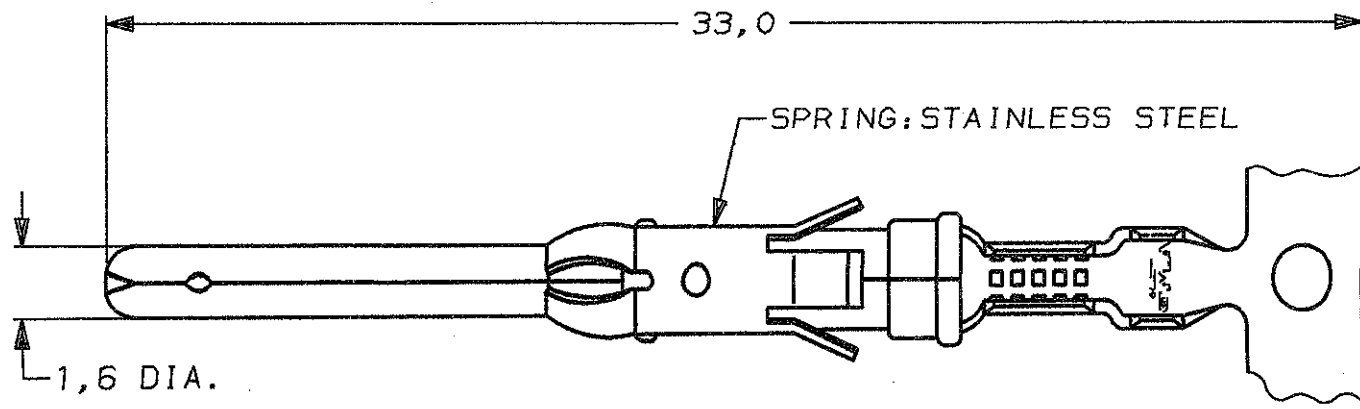
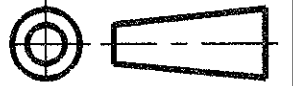


DO NOT SCALE  
DIMENSIONS IN mm

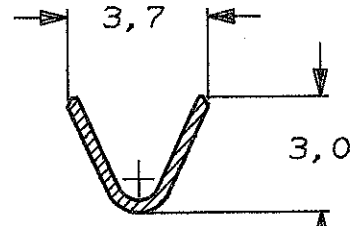
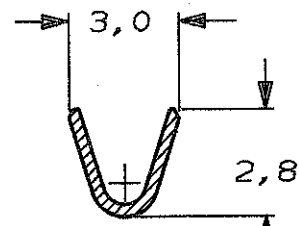
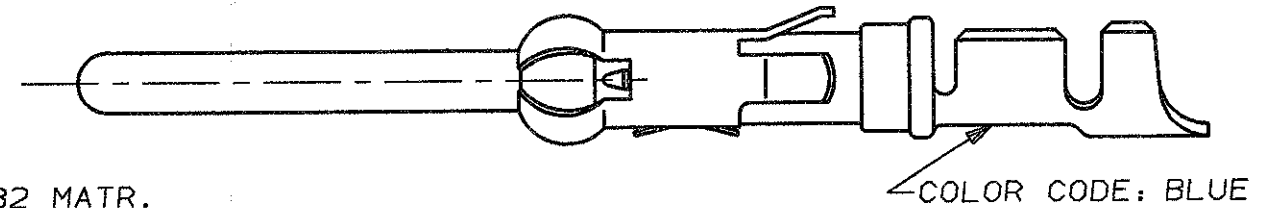
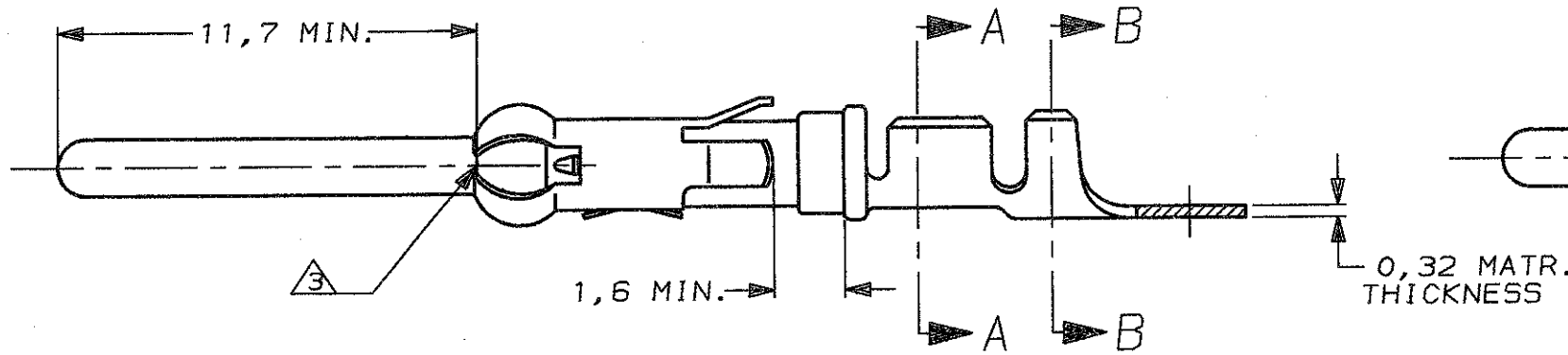
METRIC

THIRD ANGLE  
PROJECTION



STRIP

LOOSE-PIECE



SECTION A-A

SECTION B-B

WIRE RANGE : 0,75-1,50 mm<sup>2</sup> (18-16 AWG)  
INSUL. RANGE : 2,0 -2,5 mm (.080-.100)

5-164161-1	A	164164-2	BRASS	SEL. GOLD	22
1-164161-7	A		PH. BRONZE	SEL. SILVER	27
1-164161-6	B	164164-9	PH. BRONZE	SEL. SILVER	27
1-164161-5	A		PH. BRONZE	SEL. GOLD	22
1-164161-4	B	164164-8	PH. BRONZE	SEL. GOLD	22
1-164161-3	A		PH. BRONZE	FULL SILVER	29
1-164161-2	B	164164-7	PH. BRONZE	FULL SILVER	29
1-164161-1	A		BRASS	PRE-TIN	
1-164161-0	B	164164-6	BRASS	PRE-TIN	
164161-9	A		PH. BRONZE	PRE-TIN	
164161-8	B	164164-5	PH. BRONZE	PRE-TIN	
164161-7	A		BRASS	ECON. GOLD	21
164161-6	B	164164-4	BRASS	ECON. GOLD	21
164161-4	A		BRASS	SEL. GOLD	22
164161-3	A		BRASS	EL. TIN	20
164161-2	B	164164-2	BRASS	SEL. GOLD	22
164161-1	B	164164-1	BRASS	EL. TIN	20

DIRECTION OFF TOP OF REEL	
AMPOMATOR + MINI-APPL. 107-3-FIG.1	A
107-3-FIG.2	B
107-3-FIG.4	C

NOTES	MATERIAL	THICKNESS	AREA
20	TIN	2,0 μm	ALL OVER
21	NICKEL GOLD TIN/LEAD	0,8 μm	ALL OVER CONTACT AREA BARREL
22	NICKEL GOLD GOLD	0,8 μm	ALL OVER CONTACT AREA ALL OVER
23	NICKEL GOLD GOLD	1,2 μm	ALL OVER CONTACT AREA ALL OVER
24	NICKEL SILVER TIN/LEAD	2,5 μm	ALL OVER CONTACT AREA BARREL
25	SILVER	0,5 μm	ALL OVER
26	SILVER	2,5 μm	ALL OVER

L ECN H-9192				MvD	RD	09-10-91
LTR.	REVISION RECORD	DR.	CHK.	DATE		
DR.	-	CHK.	-	APP.	-	
DATE:	-	DATE:	-	DATE:	21.10-91	

**CUSTOMER DRAWING** FOR REFERENCE ONLY  
WILL NOT BE UPDATED

© COPYRIGHT 19- BY AMP HOLLAND B.V.  
ALL INTERNATIONAL RIGHTS RESERVED. AMP PRODUCTS MAY BE  
COVERED BY U.S. AND FOREIGN AND/OR PATENTS PENDING.  
THIS DRAWING IS UNPUBLISHED  
RELEASED FOR PUBLICATION

**AMP** | AMP HOLLAND B.V.  
s-Hertogenbosch,  
The Netherlands.

NAME -  
**PIN TYPE III CONTACT**  
SIZE 16 (LONG PIN)

DWG. No. C-164161  
REV. LTR. L  
SHEET 1 OF 1

- NOTES :
- FOR CRIMPDETAILS SEE AMP-SPEC. 114-19.000 .
  - MEETS PRODUCTSPECIFICATION 108-10042.
  - 0,40 MAX. GAP BETWEEN SPRING-NOSE AND CONTACT BODY.
  - SPECIAL REEL WITH 200 PCS FOR REELFED HANDTOOL.